

## Stainless Steel Retaining Cables

AISI 316, with Key Rings or One Key Ring and One Mounting Tab / with Mounting Tabs

### SPECIFICATION

#### Types

- Type **A**: With 2 key rings
- Type **B**: With mounting tab and key ring
- Type **C**: With 2 mounting tabs

Retaining cable  
Stainless steel AISI 316  
Plastic coated (PVC)

#### Transparent TR

Mounting tab  
Stainless steel AISI 316  
Plain

Key ring  
Stainless steel AISI 316 Ti  
Plain, tumbled

Press sleeves  
Stainless steel AISI 316

### INFORMATION

Stainless steel retaining cables GN 111.8 are available in 3 different types and can therefore be used in a wide range of applications, e.g. for loss protection or as connecting and mounting cables.

Due to the selection of materials, the stainless steel retaining cables are suitable for use in highly corrosive environments.

On delivery the key rings are already mounted on the stainless steel retaining cable. With type A, both rings have the same diameter  $d_i$ .

For all types the loops are reversed laterally and attached parallel to each other, which is not entirely considered in the simplified drawing.

The load values given in the table are non-binding guide values and rule out any liability.

Type A and type B are ideal suitable for ball lock pins and locking pins with axial lock.

- \* - GN 113.11, GN 113.12 for pin  $\varnothing 5, \varnothing 6$
- GN 113.1, GN 113.3, GN 113.4, GN 113.7, GN 113.8, GN 113.9, GN 113.10, GN 113.30, GN 214.2, GN 214.3, GN 214.6 for pin  $\varnothing 5, \varnothing 6, \varnothing 8$
- GN 113.5, GN 113.6, GN 114.2, GN 114.3, GN 114.6, GN 124.1, GN 124.2 for all pin diameters

- \*\* - GN 113.11, GN 113.12, GN 314 for pin  $\varnothing 8, \varnothing 10, \varnothing 12$
- GN 113.1, GN 113.3, GN 113.4, GN 113.7, GN 113.8, GN 113.9, GN 113.10, GN 113.30, GN 214.2, GN 214.3, GN 214.6 for pin  $\varnothing 10, \varnothing 12, \varnothing 16, \varnothing 20, \varnothing 25$

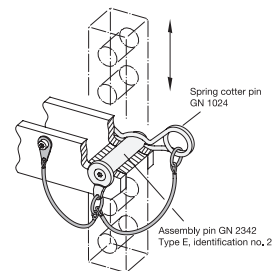
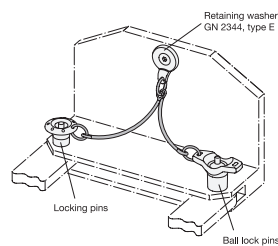
- \*\*\* - GN 113.11, GN 113.12, GN 314 for pin  $\varnothing 16, \varnothing 20, \varnothing 25$

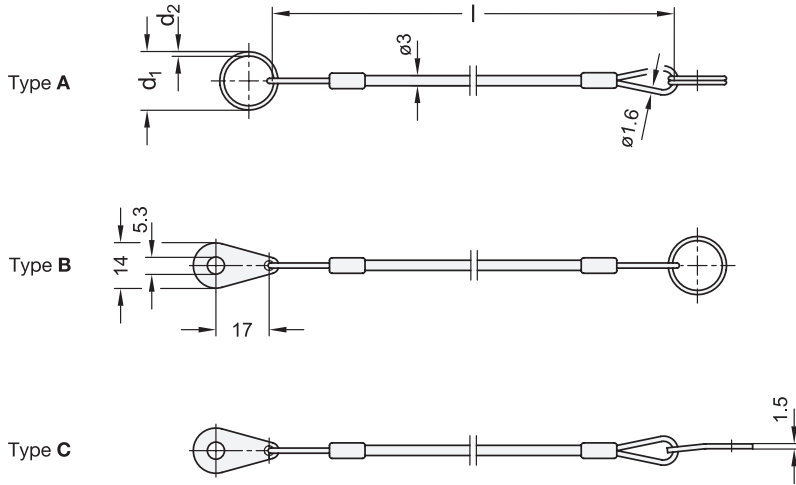
### TECHNICAL INFORMATION

- Stainless Steel characteristics (see page A26)



#### Application examples





GN 111.8-A

STAINLESS STEEL

Description	l	d1	d2	Static load in N ≈ with key ring	Static load in N ≈ without key ring	⚖
GN 111.8-150-14-A-TR	150	14*	1	75	1500	12
GN 111.8-150-18-A-TR	150	18**	1.3	125	1500	12
GN 111.8-150-24-A-TR	150	24***	1.5	140	1500	14
GN 111.8-200-14-A-TR	200	14*	1	75	1500	15
GN 111.8-200-18-A-TR	200	18**	1.3	125	1500	15
GN 111.8-200-24-A-TR	200	24***	1.5	140	1500	17
GN 111.8-320-14-A-TR	320	14*	1	75	1500	22
GN 111.8-320-18-A-TR	320	18**	1.3	125	1500	22
GN 111.8-320-24-A-TR	320	24***	1.5	140	1500	24

GN 111.8-B

STAINLESS STEEL

Description	l	d1	d2	Static load in N ≈ with key ring	Static load in N ≈ without key ring	⚖
GN 111.8-150-14-B-TR	150	14*	1	75	1500	14
GN 111.8-150-18-B-TR	150	18**	1.3	125	1500	14
GN 111.8-150-24-B-TR	150	24***	1.5	140	1500	14
GN 111.8-200-14-B-TR	200	14*	1	75	1500	17
GN 111.8-200-18-B-TR	200	18**	1.3	125	1500	17
GN 111.8-200-24-B-TR	200	24***	1.5	140	1500	17
GN 111.8-320-14-B-TR	320	14*	1	75	1500	25
GN 111.8-320-18-B-TR	320	18**	1.3	125	1500	25
GN 111.8-320-24-B-TR	320	24***	1.5	140	1500	25

GN 111.8-C

STAINLESS STEEL

Description	l	Static load in N ≈	⚖
GN 111.8-150-C-TR	150	1500	16
GN 111.8-200-C-TR	200	1500	19
GN 111.8-320-C-TR	320	1500	26

